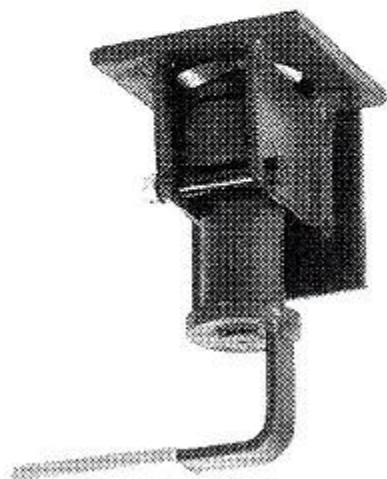


# Retractable Twistlock

Twistlock in retracted position (fig.1)



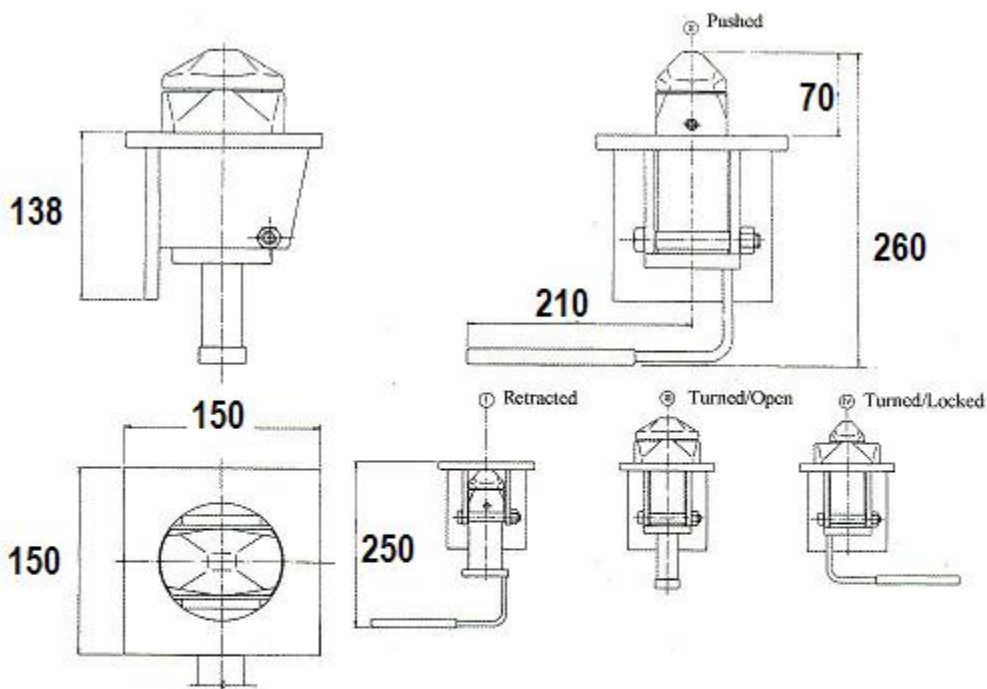
## Retractable Twistlock Part No: Twistlock-Std.

### Operation

Manual

### Surface Preparation

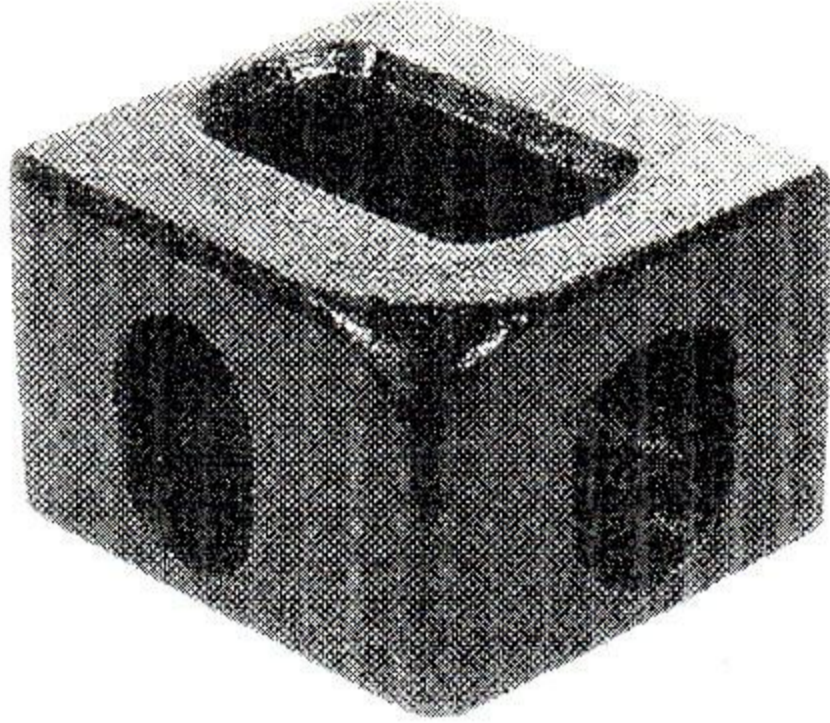
Painted



# TRANSPARTS



# Corner casting



Type: CC  
Weight: 11kg

Cast steel

Surface preparation

Self coloured

Option

Bottom Left (BL)

Bottom Right (BR)

Top Left (TL)

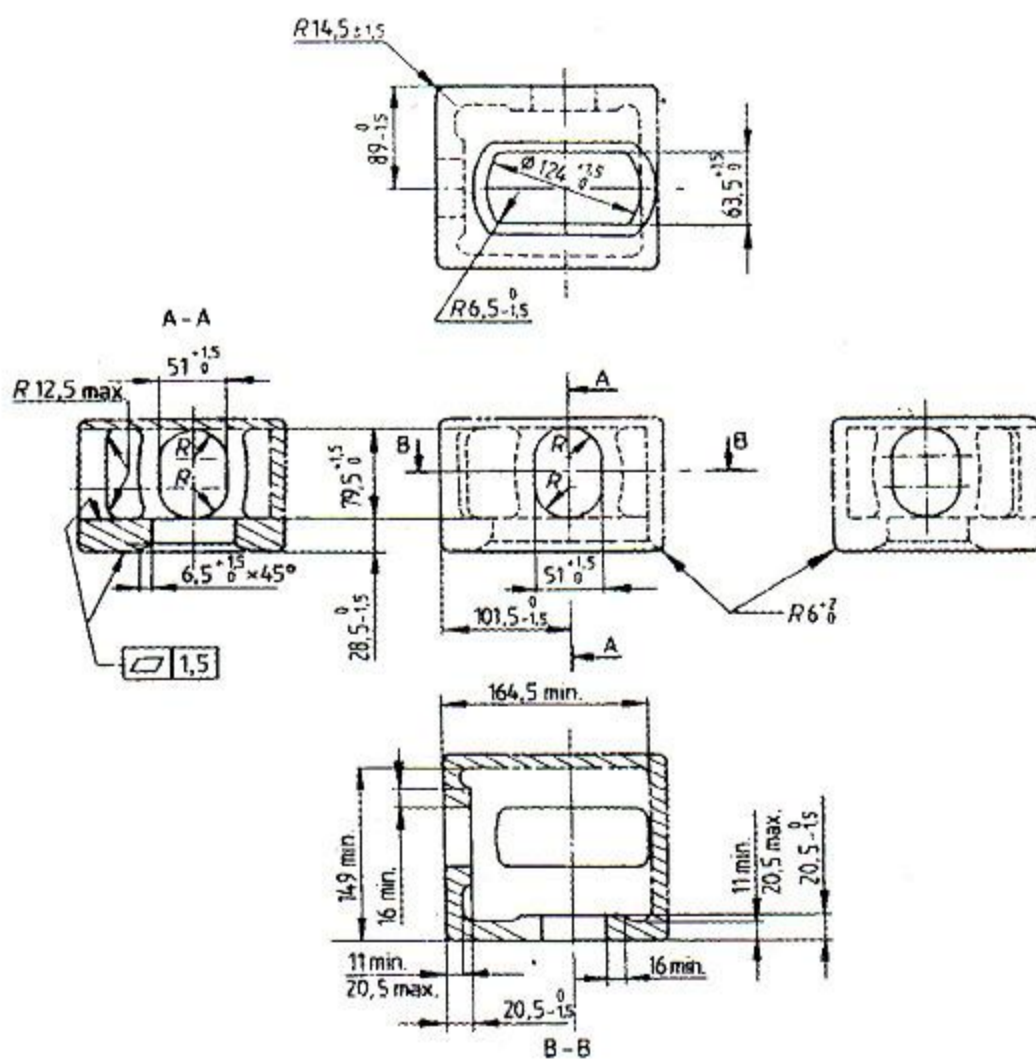
Top Right (TR)

One set = 2 of each, BL, BR, TL & TR

DRW No. ISO 1161-1984 (E)

\*Product modification can be made upon request

## Bottom corner fitting



## Top corner fitting

