

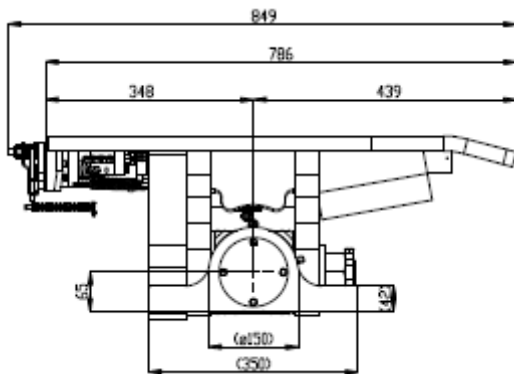
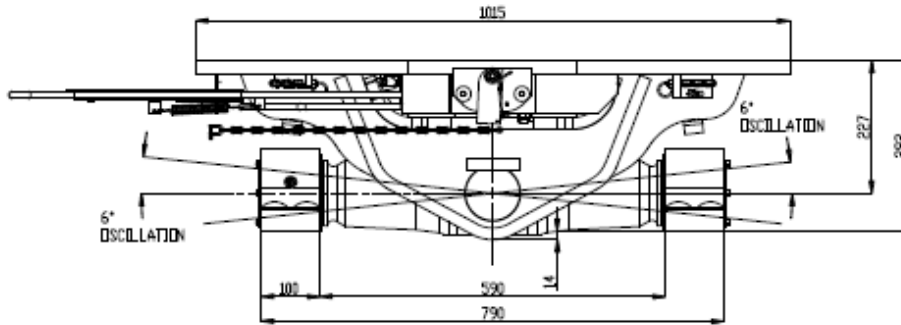
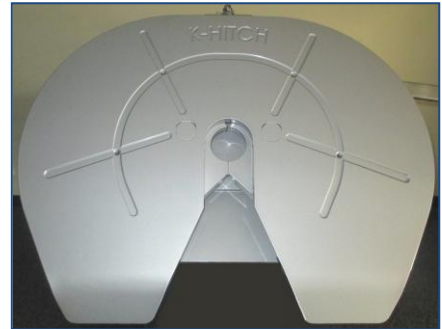
SALES SPEC SHEET

TURNTABLE KD

The FUWA K Hitch KD Turntable is a **TWO-PIECE JAW** design, fully fabricated from high quality steel.

The KD is a non-adjustable 90mm jaw design, featuring a heavy duty double oscillating trunnion design, supported by bolt-on feet (bronze bushes throughout).

This Turntable is design for mining applications.



Model Number	Model Name	Top Lube	Top Width	Weight (kg – c/w Feet)
KD15E90	Double Oscillating HD	Grease-able	1015mm	396

Mount Height (mm)	King Pin Size (mm)	Vertical Load (kg)	D-Rating (kN)	CRN
292	90	50,000	360	Off-Hwy ONLY

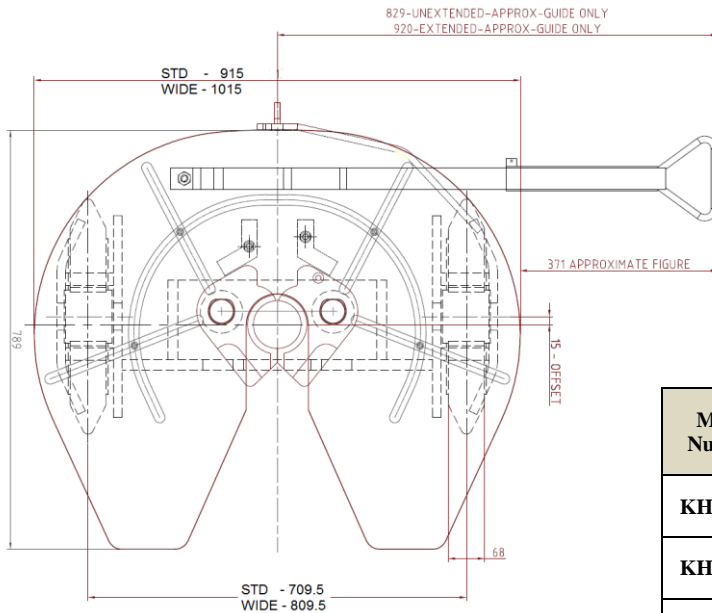
SALES SPEC SHEET

TURNTABLE KH..D

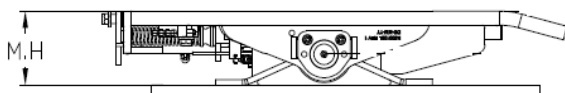
The FUWA K Hitch KH Turntable range is a **TWO-PIECE JAW** design, fully fabricated from high quality steel.

They are a non-adjustable design, available in four basic tops.

The simple and positive connectability of the two-piece jaw design is renowned for its robustness in tough applications.



Model Number	Model Name	Top Lube	Top Width	Weight (kg – no Feet)
KH10D90	Road Boss	Grease-able	STD 915mm	178
KH11D90			WIDE 1015mm	188
KH12D90		Grease-less	STD 915mm	170
KH13D90			WIDE 1015mm	180



M.H = MOUNT HEIGHT

Note: These Turntables can be supplied with a range of attachments.

- Base plates (drilled and undrilled)
- Ball Races (60mm & 90mm, Ø1000mm & Ø1100mm)
- Half moon plates, full moon plates

Mount Height (mm)		D-Rating (kN)	Vertical Load (kg)	King Pin Size (mm)	CRN
Grease-able	Grease-less				
132	136	260	28,000	90	29119
152	156				
170	174				
200	204				
222	226				

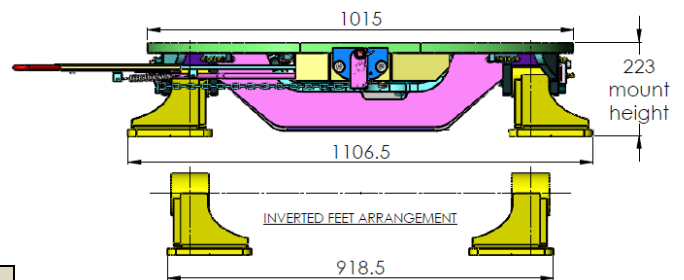
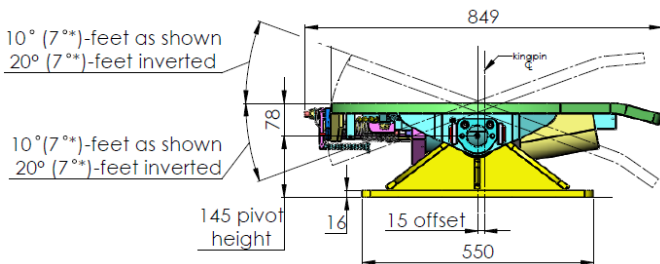
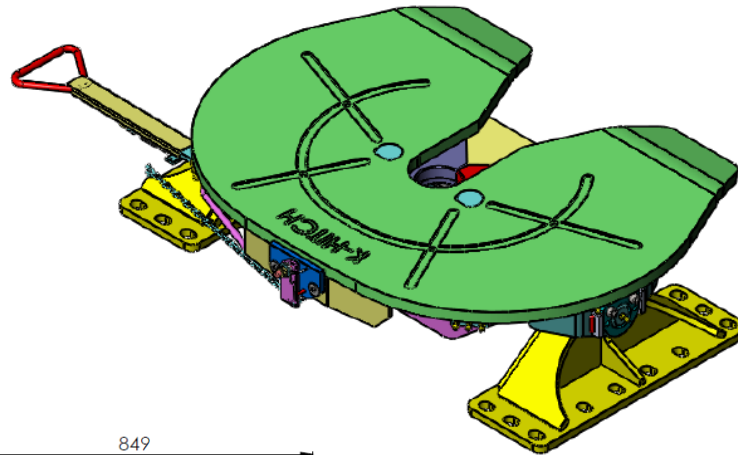
SALES SPEC SHEET

TURNTABLE KS

The FUWA K Hitch KS Turntable is a **TWO-PIECE JAW** design, fully fabricated from high quality steel.

The KS is a non-adjustable 90mm jaw design, featuring heavy duty feet (bronze bushes) and enhanced top plate support.

This Turntable is design for mining applications, but can be used on public roads.



Model Number	Model Name	Top Lube	Top Width	Weight (kg – c/w Feet)
KS15E90	Single Oscillating HD	Grease-able	1015mm	310

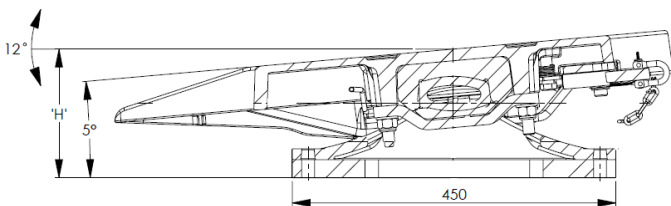
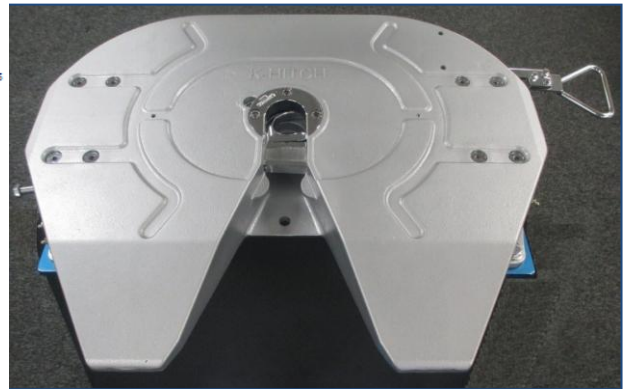
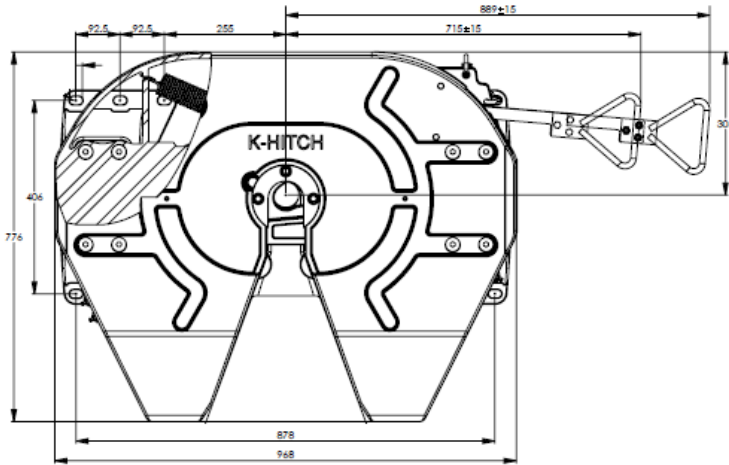
Mount Height (mm)	King Pin Size (mm)	Vertical Load (kg)	D-Rating (kN)	CRN
223	90	40,000	260	29119
			360	Off-Hwy ONLY

SALES SPEC SHEET

TURNTABLE KC..C

The FUWA K Hitch KC Turntable range is a **SINGLE-PIECE JAW** design, cast from high quality Iron.

The very solid and durable construction is ideally suited for any typical on/off highway application including B-Doubles and Road Trains.



Note: These Turntables can be supplied with a range of attachments.

- Base plates (drilled and undrilled)
- Ball Races (60mm & 90mm, Ø1000mm, Ø1100mm)
- Half moon plates

Model Number	Model Name	Mount Height (H) (mm)	D-Rating (kN)	Vertical Load (kg)	King Pin Size (mm)	Weight (kg) with feet and spacer	CRN
KC10C50	Fleet Master Cast	150	200	20,000	50	148	47568
		175*				184	
		185				152	
		210*				187	
		250				166	
		275*				200	
300**	236						

Note: * one 25mm spacer block. ** two 25mm spacer blocks

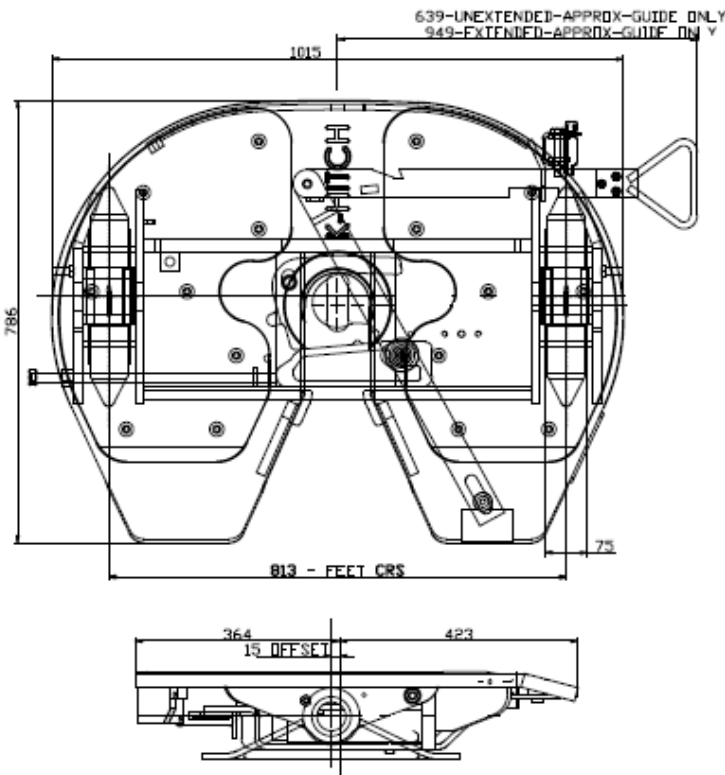
SALES SPEC SHEET

TURNTABLE KA..D

The FUWA K Hitch KA Turntable range is a **SINGLE-PIECE JAW** design, fully fabricated from high quality steel.

The adjustable design is available in two basic tops.

The very solid and durable construction is ideally suited for any heavy duty B-Double and Road Train applications.



Model Number	Model Name	Top Lube	Top Width	Weight (kg - no Feet)
KA11D90	Fleet Master 90	Grease-able	WIDE 1015mm	183
KA13D90		Grease-less		175

Note: These Turntables can be supplied with a range of attachments.

- Base plates (drilled and undrilled)
- Ball Races (60mm & 90mm, Ø1000mm, Ø1100mm)
- Half moon plates

Mount Height (H) (mm)		D-Rating (kN)	Vertical Load (kg)	King Pin Size (mm)	CRN
Grease-able	Grease-less				
132	136	240	28,000	90	30639
152	156				
170	174				
200	204				
222	226				

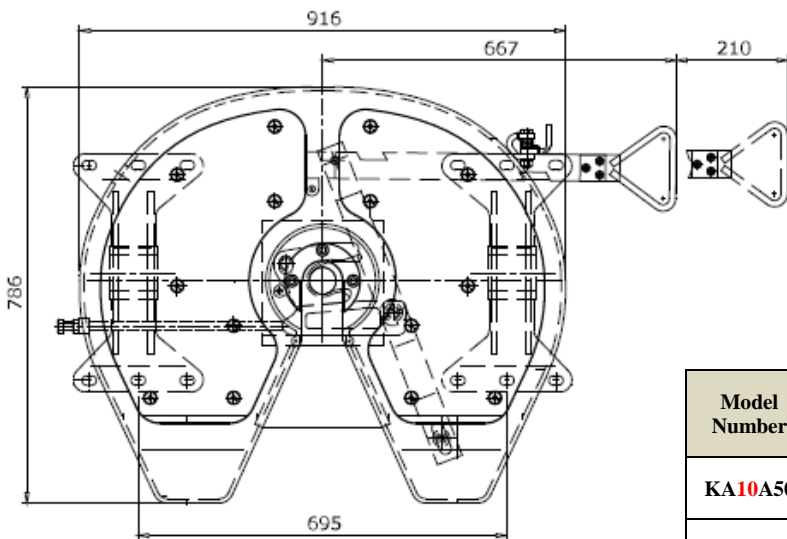
SALES SPEC SHEET

TURNTABLE KA..A

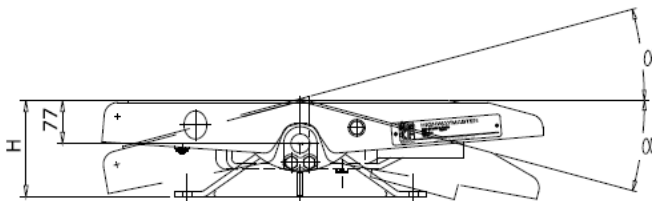
The FUWA K Hitch KA Turntable range is a **SINGLE-PIECE JAW** design, fully fabricated from high quality steel.

The adjustable design is available in two basic tops.

The pressed top turntable is of a light, but durable construction to accommodate any typical single and B-double highway application.



Model Number	Model Name	Top Lube	Top Width	Weight (kg – no Feet)
KA10A50	Highway Master	Grease-able	STD 915mm	130
KA12A50		Grease-less	STD 915mm	113



Note: These Turntables can be supplied with a range of attachments.

- Base plates (drilled and undrilled)
- Ball Races (60mm & 90mm, Ø1000mm)
- Half moon plates

Mount Height (H) (mm)	α	D-Rating (kN)	Vertical Load (kg)	King Pin Size (mm)	CRN
132	13°	174	20,000	50	32015
152	13°				
170	15°				
200	18°				
222	18°				

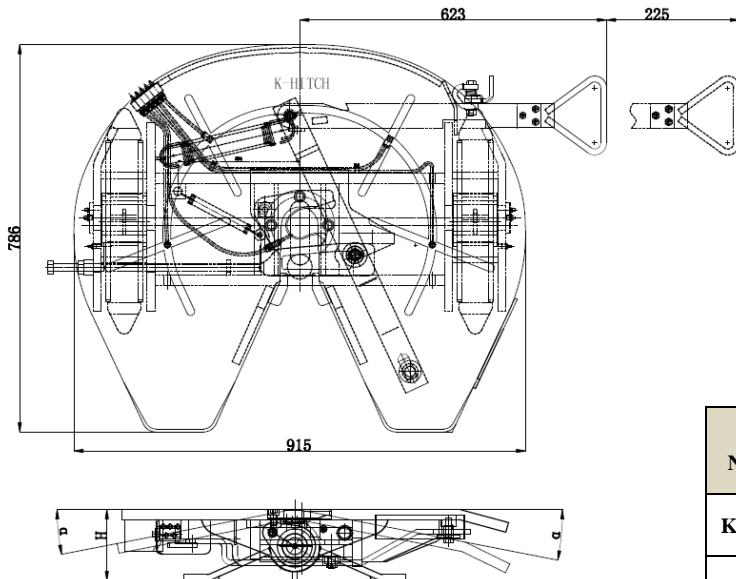
SALES SPEC SHEET

TURNTABLE KA..C

The FUWA K Hitch KA Turntable range is a **SINGLE-PIECE JAW** design, fully fabricated from high quality steel.

The adjustable design is available in four basic tops.

The very solid and durable construction is ideally suited for any typical on/off highway application including B-Doubles and Road Trains.



Model Number	Model Name	Top Lube	Top Width	Weight (kg – no Feet)
KA10C50	Fleet Master	Grease-able	STD 915mm	131
KA12C50		Grease-less		123
KA11C50		Grease-able	WIDE 1015mm	154
KA13C50		Grease-less		146

Note: These Turntables can be supplied with a range of attachments.

- Base plates (drilled and undrilled)
- Ball Races (60mm & 90mm, Ø1000mm, Ø1100mm)
- Half moon plates

Mount Height (H) (mm)		α	D-Rating (kN)	Vertical Load (kg)	King Pin Size (mm)	CRN
Grease-able	Grease-less					
127	131	11°	195	25,000	50	27120
147	151	11°				
165	169	15°				
195	199	18°				
217	221	18°				



K HITCH (AUSTRALIA) PTY LTD

DEMOUNTABLE (FLANGED) KING PINS



PART No.	SAP	DESCRIPTION	D RATING	KG
DEMOUNTABLE KINGPIN ASSEMBLIES includes pin, plate & bolts				
KPBA50/**		50mm King Pin Assembly	240kN	15.45
KPBA75/**		75mm King Pin Assembly	240kN	17.45
KPBA90/**		90mm King Pin Assembly	240kN	17.80
** Equals skid plate thickness				
DEMOUNTABLE KING PIN DROP FORGED with 8 bolt holes D RATED				
KPB50	562	50mm Flange Kingpin	240kN	6.25
KPB75	563	75mm Flange Kingpin	240kN	8.25
KPB90	564	90mm Flange Kingpin	240kN	8.60
RETENTION PLATES				
KPF08	583	08mm retention plate		8.60
KPF10	579	10mm retention plate		8.60
KPF12	580	12mm retention plate		8.60
KPF16	581	16mm retention plate		8.60
KPF20	582	20mm retention plate		8.60
KPF/HD	374	16mm H/D retention plate 20mm bolt		16.25
BOLT KITS				
KPB14	561	HT bolts M14x38mm Grade 10.9 (8 per set)		0.60
KH032	1351	HT bolts M20x50mm Grade 10.9 (singles)		0.18
INDUCTION HARDENED DEMOUNTABLE KING PINS				
KPB75IH	358	75mm Induction Hardened Pin	240kN	8.25
KPB90IH	359	90mm Induction Hardened Pin	240kN	8.60
HEAVY DUTY KING PINS				
KPB90H/D	597	90mm Heavy Duty King Pin Induction hardened	240kN	13.60
		with grease channel uses 20mm bolts		