

# BARTLETT® 127

## Heavy Duty Ball Coupling for towing heavy trailers

### Ratings

#### Rigid Drawbar (Pig) Trailer

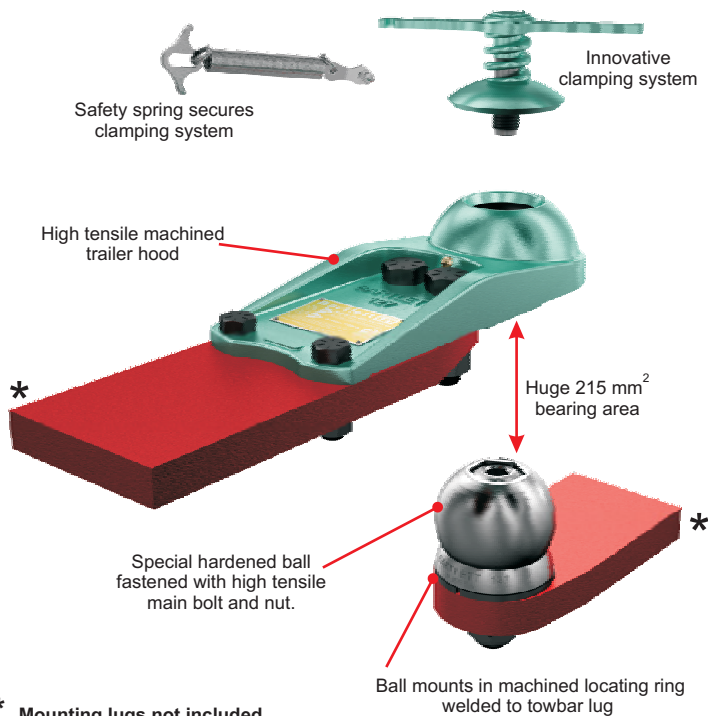
Max. ATM 24 000 kg  
Static Vertical Load by Formula -  
See information sheet "127 Ratings Explained"

#### Hinged Drawbar Dog Trailer

D-Value 155 kN

The Bartlett® 127 ball trailer coupling combines a long list of superior design features to deliver the hardest wearing trailer coupling as proven over forty years service in harsh Australian conditions.

- **Low profile ball and socket design** to maximise strength and minimise stress
- **22.5° Oscillation** - Fore, aft and twist ~ Most coupling designs are restricted to less
- **Massive spherical bearing area** for extended coupling life ~ minimal maintenance means value for money .



\* Mounting lugs not included  
Shown for illustration only.  
Optional Extras - See Bartlett

### How it works

1. Lower trailer hood onto ball
2. Clamp trailer to ball using clamping assembly
3. Secure clamping system with safety spring
4. Connect supply lines - start towing

**127** | Model 127  
Bartlett Ball



- **Micro working clearances** - eliminate the fatiguing backlash inherent in all ring couplings. Zero backlash means protection for cargo, geartrain, driveline, driver and passengers. Truck and trailer are united as one vehicle.
- **ADR 62 testing and compliance** - for legal security.
- **Versatile** - The Bartlett 127 will excel in rigid (Pig), and hinged (Dog) trailer applications allowing one towing vehicle to tow both types of trailers.

**Look no further than the genuine Bartlett 127.**

Bartlett also manufactures a range of towbar kits and safety chain systems for complete towing surety.



**Bartlett Equipment**  
6 - Abbott Road, Hallam  
VICTORIA, AUSTRALIA, 3803

Ph: 03 9796 3222  
Fax: 03 9796 3510  
Email: sales@bartlett-equip.com.au  
web: bartlett-equip.com.au

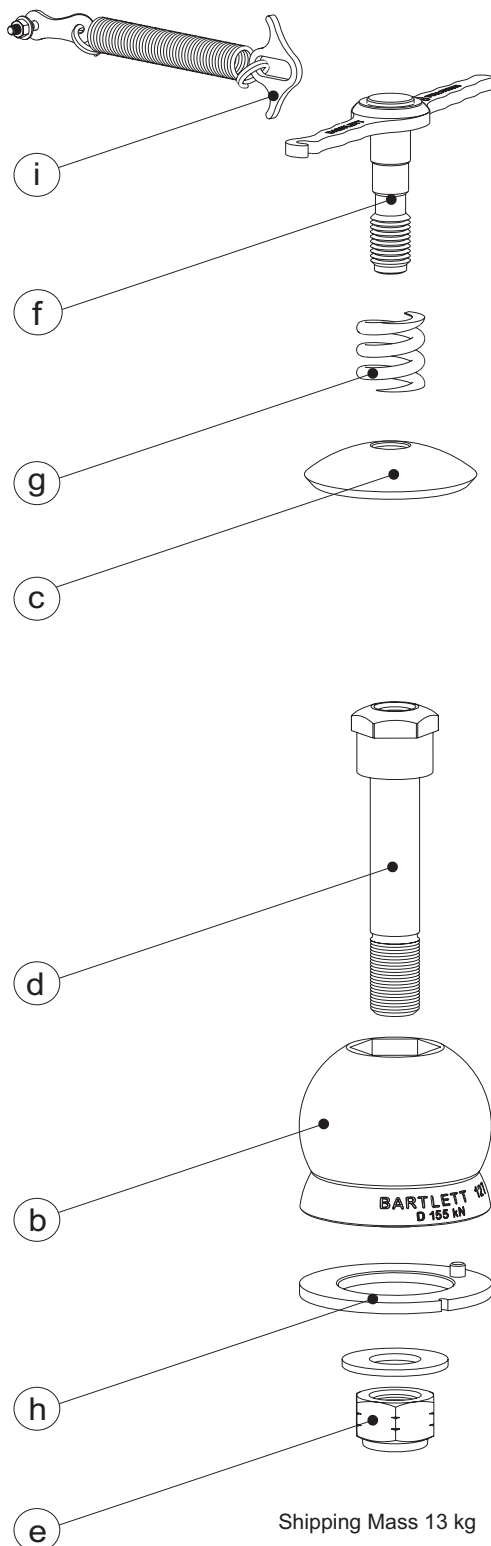


Always specify genuine Bartlett equipment .

## BARTLETT® 127

### 127 mm Ball Trailer Coupling

**Rigid Drawbar Pig Trailer Max. ATM 24 000 kg SVL by Formula**  
**Hinged Drawbar Dog Trailer D-Value 155 kN**

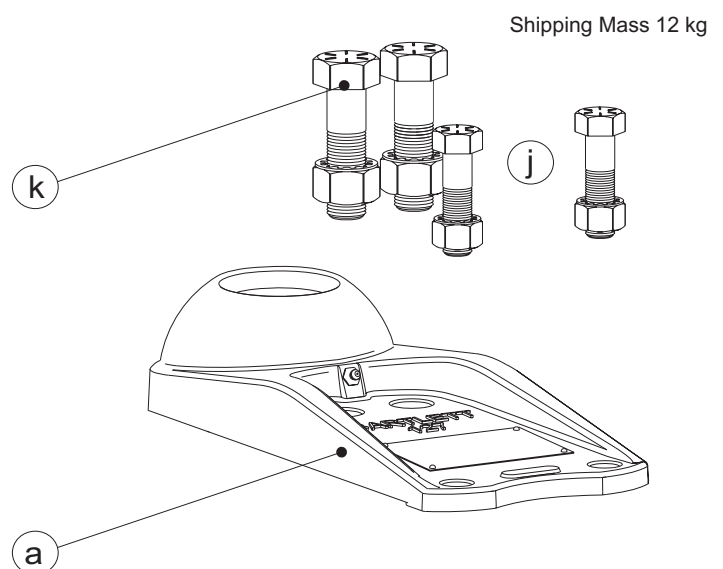


### 59DX Truck (Ball) Kit

Item	Part No.	Description
b	59/2	Ball - Hardened Cast Iron
c	59/3	Cap
d	59/4	Main Bolt - Grade 8
e	5-3/5	Nyloc Nut - Grade 8 & Washer
f	59/6	Clamping Bolt - High Tensile
g	59/7	Compression Spring
h	59/8	Locating Ring
i	5-3/9	Safety Spring

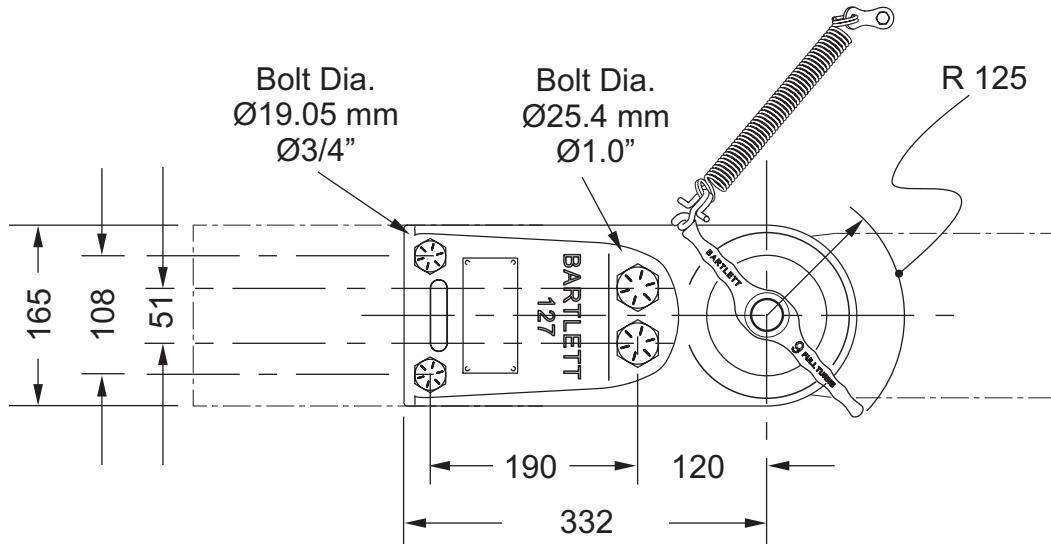
### 59AX Trailer Kit

Item	Part No.	Description
a	59/1	Trailer Hood - Alloy Steel
j	59/10	Mounting Bolt - Pair Grade 8
k	59/11	Mounting Bolt - Pair Grade 8

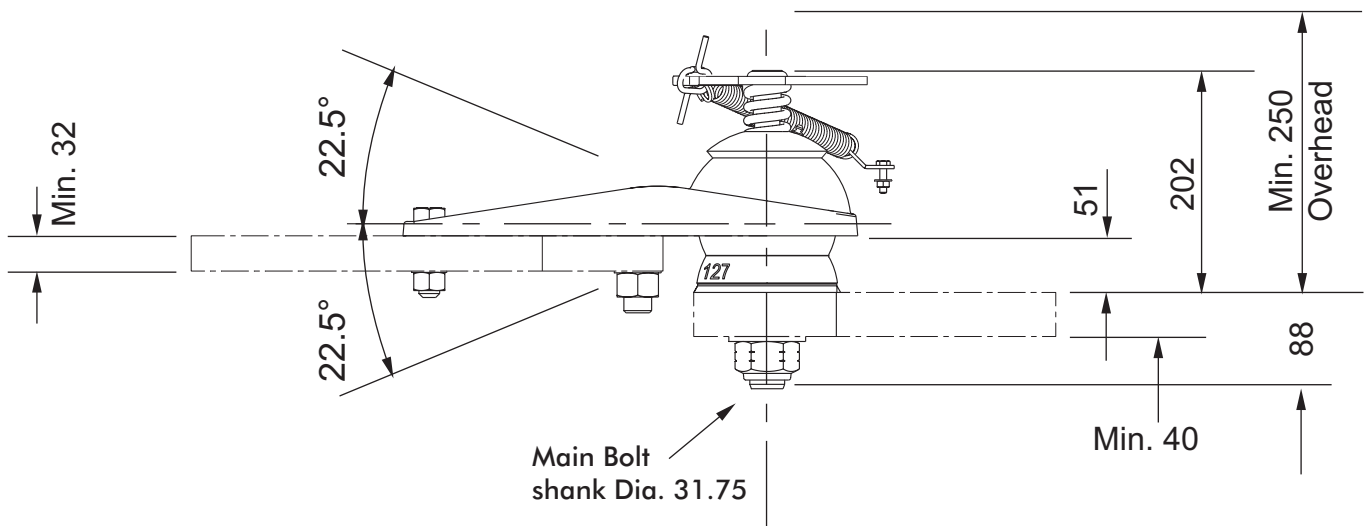


# BARTLETT® 127

## Coupling Dimensions



**Do not scale**  
All measurements in mm.



- Mounting lugs not included, shown for illustration purpose only - Available at extra cost.
- Mounting lugs must be adequately supported as dictated by professional design engineer.
- DWG or DXF file available on approval
- Complete towbar kits also available - [bartlett-equip.com.au](http://bartlett-equip.com.au)
- BTI Reserves the right to alter specifications without notice