



# BARTLETT® 95 BALL

## 95 mm Trailer Ball Coupling Parts

**Ratings:**

**Rigid Drawbar Pig Trailer Max. ATM 7 000 kg, SVL by formula**

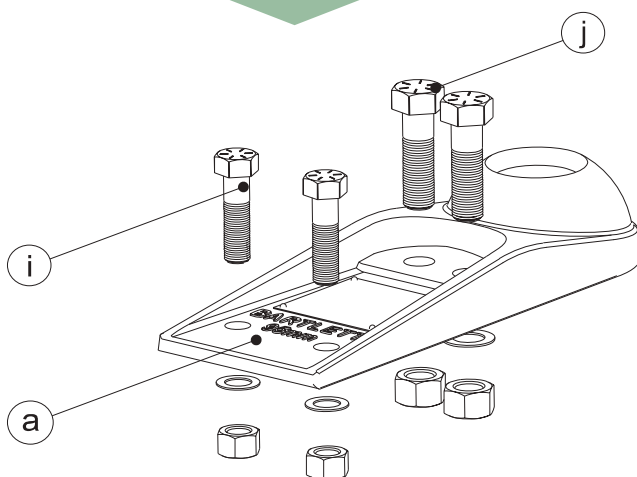
**Hinged Drawbar Dog Trailer D-Value 70 kN**

### 375DX Truck (Ball) Kit

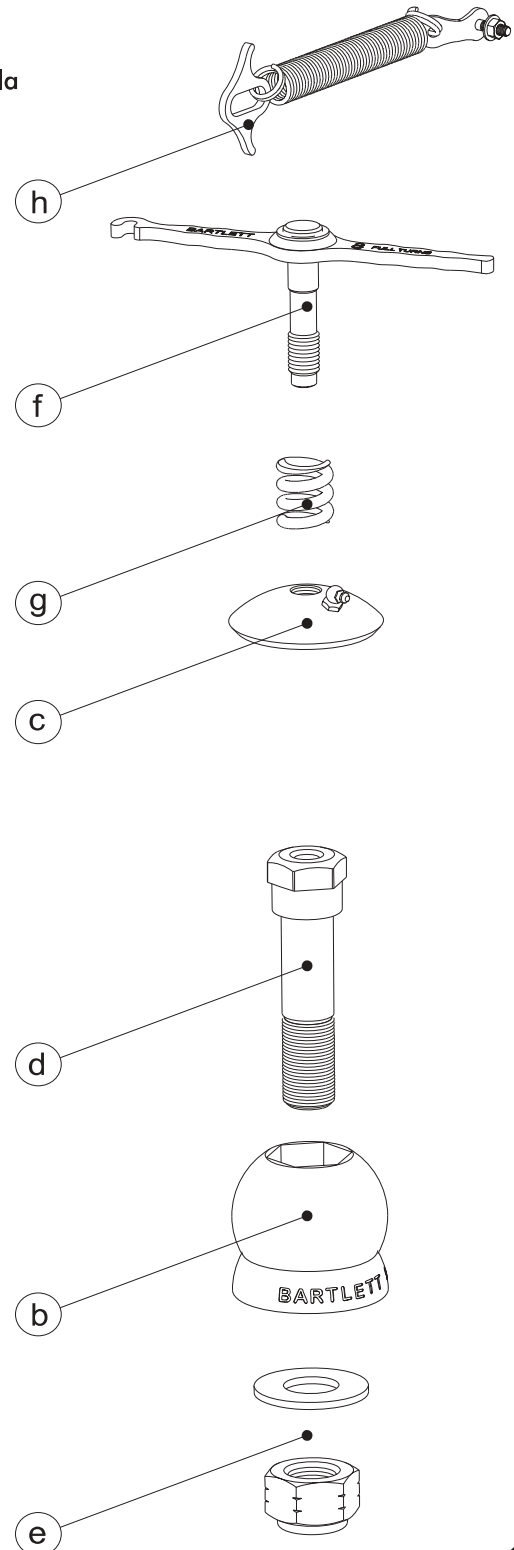
Item	Part No.	Description
b	375/2	Ball - Hardened Cast Iron
c	375/3	Cap
d	375/4	Main Bolt - Grade 8
e	5-3/5	Nyloc Nut - Grade 8 & Washer
f	375/6	Clamping Bolt - High Tensile
g	375/7	Compression Spring
h	5-3/9	Safety Spring

### 375AX Trailer Kit

Item	Part No.	Description
a	375/1	Trailer Hood - Alloy Steel
i	375/10	Mounting Bolt - Pair Grade 8
j	375/11	Mounting Bolt - Pair Grade 8



Shipping Mass 6 kg



Shipping Mass 7 kg

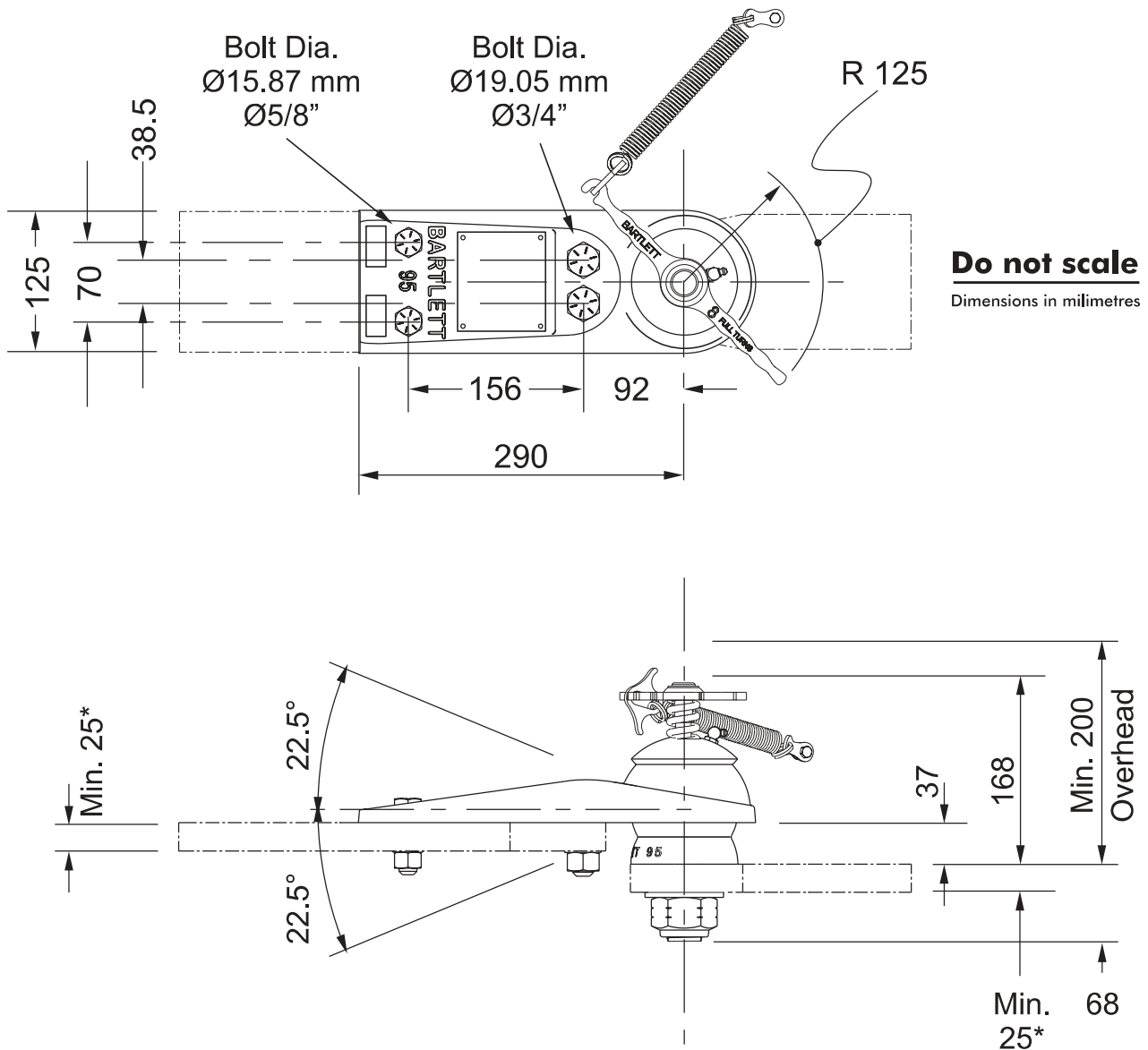
Towbars, mounting lugs and other accessories also available

\*Bartlett reserves the right to alter specifications without notice.

© Bartlett ® 2007

# Bartlett® 95

## 95 mm Trailer Ball Coupling Dimensions



- Mounting lugs not included, shown for illustration purpose only - Available at extra cost.
- Mounting lugs must be adequately supported as dictated by professional design engineer.
- DWG or DXF file available on approval
- Complete towbar kits also available - [bartlett-equip.com.au](http://bartlett-equip.com.au)
- Bartlett Reserves the right to alter specifications without notice