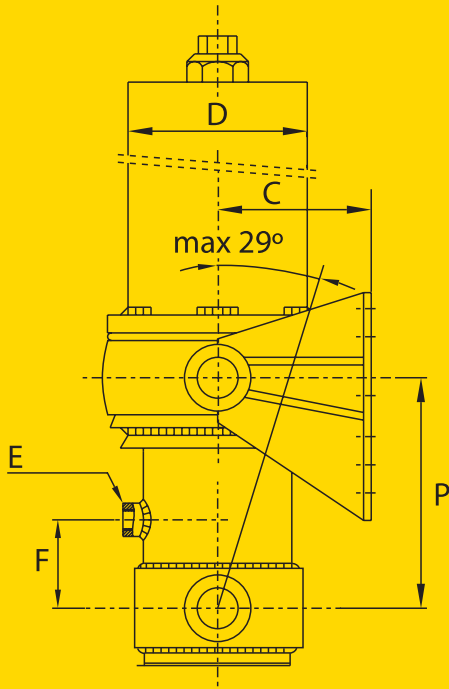
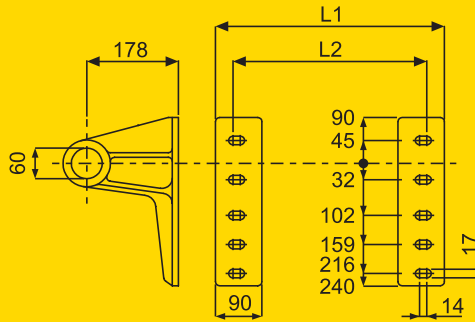


Phone (07) 3273 4155

FLASH HOIST FC SERIES



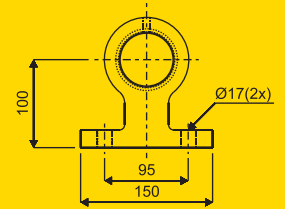
BRACKETS



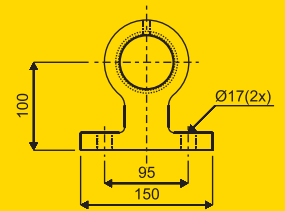
L1 = 305 L2 = 237

FC 110 / 129

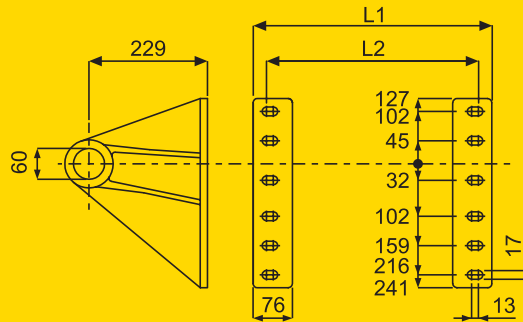
FOOT MOUNT



FE 110

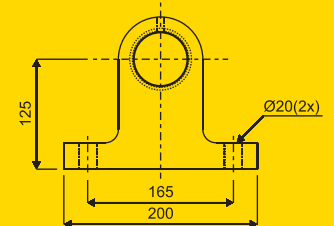


FE 129 / 149

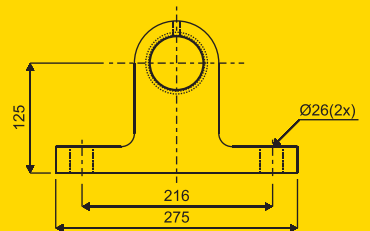


L1 = 462 L2 = 410

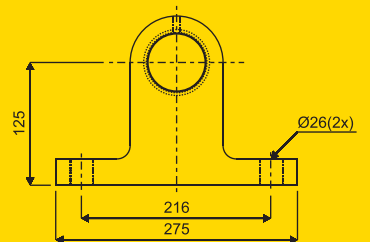
FC 129 / 149 / 169 / 191



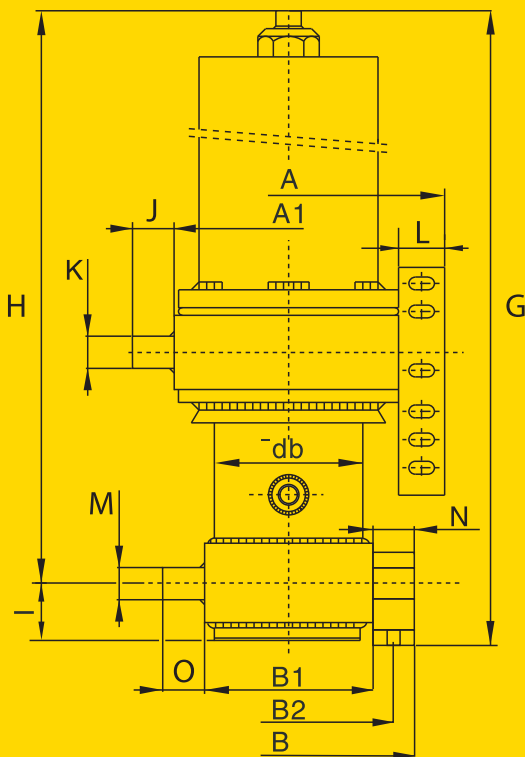
FE 169 / 191



FE 191



FE 214



| HOIST MODEL | PART NUMBER | NO OF STAGES | STROKE mm | CAPACITY AT 150bar | WEIGHT INCL. FOOTMOUNTS & TEST OIL | TOTAL VOL. LITRES | CLOSED HT. G*mm |
|---------------|-------------|--------------|-----------|--------------------|------------------------------------|-------------------|-----------------|
| FC 110-3-3205 | 71503160 | 3 | 3205 | 20 T | 138 Kg | 24 | 1499 |
| FC 129-3-3460 | 71504180 | 3 | 3460 | 28 T | 208 Kg | 37 | 1927 |
| FC 129-3-3880 | 71504220 | 3 | 3880 | 28 T | 225 Kg | 42 | 1734 |
| FC 149-4-5180 | 71505404 | 4 | 5180 | 35 T | 280 Kg | 66 | 1734 |
| FC 169-4-6500 | 71506540 | 4 | 6500 | 40 T | 386 Kg | 110 | 2124 |
| FC 169-5-7130 | 71506580 | 5 | 7130 | 35 T | 371 Kg | 107 | 1884 |

* G closed height is including 20mm pull out

Hyva Altatec is not responsible for incorrect results obtained with figures in this document. Information is for reference only. For detailed information and for specific tipping capacities against known operating conditions contact Hyva Altatec.



www.transparts.com.au