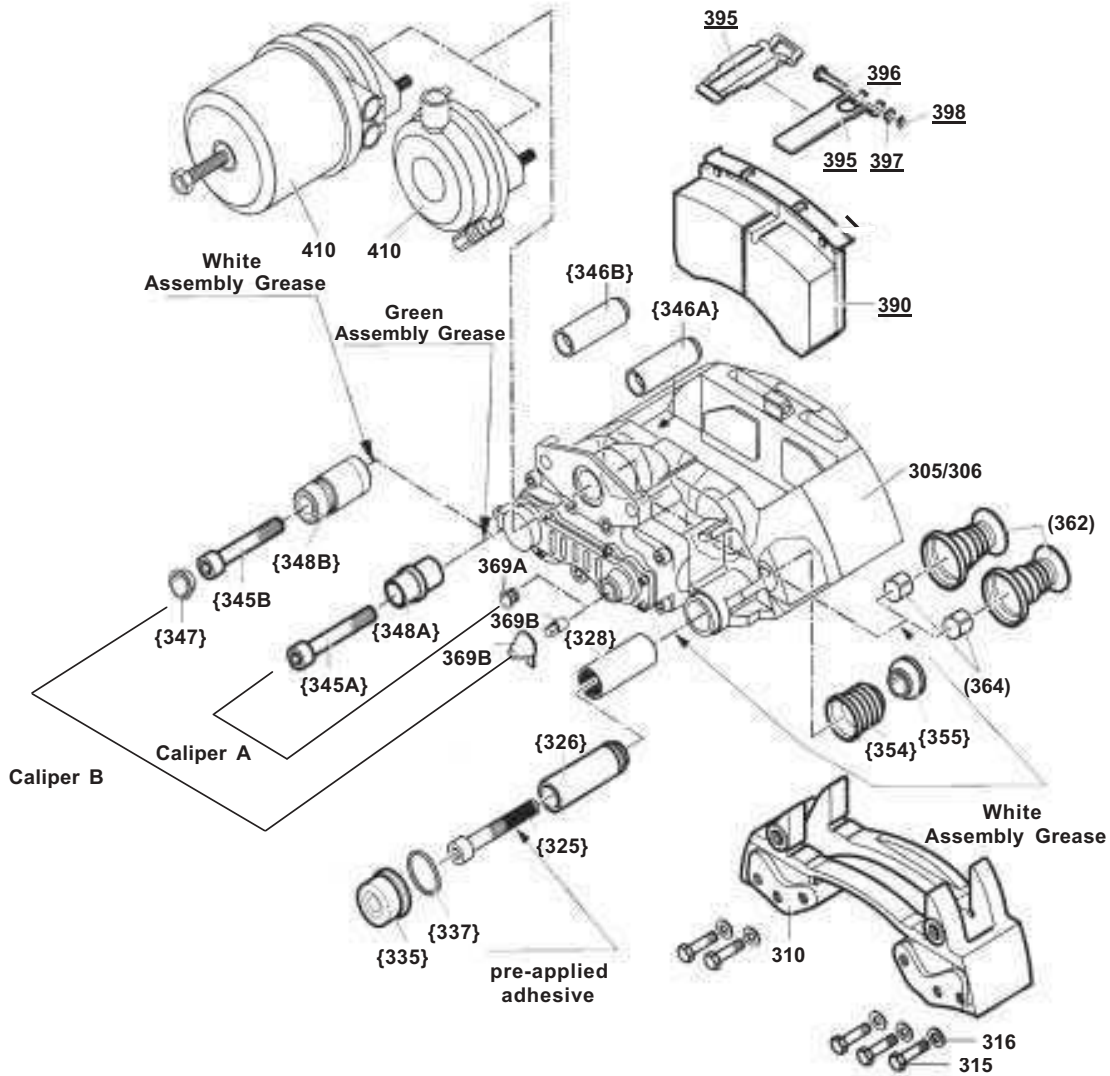


# BPW Original spare parts, series SKH.. and SH.. ECO



**Caliper A** (pre September 2001)  
 Note type of Adjuster Cap and exposed Secondary Guide Pin

**Caliper B** (post September 2001)  
 Note type of Adjuster Cap and rolling lobe seal for Secondary Guide Pin

Item	Description	Part Number SKH..SB3745 8-10 tonne with rotor outer diameter 377mm	Part Number SH..SB4345 8-12 tonne with rotor outer diameter 435mm	Qty per Axle
305	Disc brake caliper (item 310, 323-369, 390-398)	0536270270	0536270130	1
	Disc brake caliper (Steer axle) (item 310, 323-369, 390-398)	0536270231		1
306	Disc brake caliper (item 310, 323-369, 390-398)	0536270260	0536270120	1
	Disc brake caliper (Steer axle) (item 310, 323-369, 390-398)	0536270221		1
310	Caliper anchor plate to suit early <b>Caliper A</b> versions part numbers 0536270260/270	0203130900		2
	Caliper anchor plate to suit later <b>Caliper A</b> and <b>Caliper B</b> versions part numbers 0536270261/262/271/272	0203131300		2
310A	Caliper Spacer	0316434020TS		2
315	Screw M 18 x 1.5 x 60 (Torque 400-460Nm)		0250300321	10
	Screw M 16 x 1.5 x 60 (Torque 280-330Nm)	0250298720		10/4 <sup>a</sup>
	Screw M 16 x 1.5 x 65 (To suit caliper spacer) (Torque 280-330Nm)	0250298521		10
	Screw M 16 x 1.5 x 160 (Steer axle) (Torque 280-330Nm)	0250298821		4
	Screw M 16 x 1.5 x 60 (Steer axle) (Torque 280-330Nm)	0250511021		2
316	Washer Ø17	0254011608		10
	Washer Ø19		0254011909	10
323	Repair kit, guide pins and seals, <b>Caliper A</b> (item 325-328, 335, 336, 345-348, 354, 355)		0980106120	2
323	Repair kit, guide pins and seals, <b>Caliper B</b> (item 325-328, 335, 336, 345-348, 354, 355)		0980106240	2
360	Repair kit thrust piece (item 362 + 364)		0980102630	2
369A	Cap (Brake adj) <b>Caliper A</b>		0218270400	2
369B	Cap kit (brake adj) <b>Caliper B</b>		0980106250	2
388	Brake pad, axle set item 390, 396-398	0980102930	0980102920	1
393	Retaining kit for brake pads	0980102760	0980102660	2
395	Brake pad retaining bar	0203052200	0203052100	2
396	Pin		0258292231	2
397	Washer		0254041004	2
398	Clip		0233013100	2
Rotor	Rotor 10 stud, 285mm PCD	0308834070		2
	Rotor 10 stud, 335mm PCD	0308834060	0308835010	2
	Rotor 8 stud, 275mm PCD	0308834010		2
	Rotor 10 stud, 335mm PCD, ABS mounting	0308834040	0308835030	2
Hub	Hub 10/335 alloy (suits press-in stud)	0327232040		2
	Hub 8/275 alloy (suits press-in stud)	0327228720		2
	Hub 10/335 steel (suits press-in stud)	0327232060		2
	Hub 8/275 steel (suits press-in stud)	0327228750		2
	Hub 10/285 steel (suits back-nut stud)	0327228770		2
Covers	Rotor Shield	0301091530		2
	Rotor Shield Steer Axle Right Hand Side	0301091580		1
	Rotor Shield Steer Axle Left Hand Side	0301091590		1
	Screw M10 x 15 (for fixing Rotor Shields)	0250712200		2/6 <sup>b</sup>
	Pad Shield	0301095210		2
	<b>BPW Boosters</b>	<b>Right Hand</b>	<b>Left Hand</b>	
410	Brake booster 14"/24"	0544438010	0544438020	1
	Brake booster 16"/24"	0544440010	0544440020	1
	Brake booster 18"/24"	0544442020	0544442010	1
	Brake booster 20"/24"	0544444010	0544444020	1
	Brake booster 14"	0544430010	0544430020	1
	Brake booster 16"	0544432010	0544432020	1
	Brake booster 18"	0544433020	0544433010	1
	Brake booster 20"	0544434020	0544434010	1
	Brake booster 22"	0544435020	0544435010	1
Brake booster 24"	0544436010	0544436020	1	

<sup>a</sup> 10 screws for non-steer axle, 4 screws for steer axle

<sup>b</sup> 2 screws for non-steer axle, 6 screws for steer axle